

CABLE CHANNELS

LISI AUTOMOTIVE cable channels are designed to **organize, secure, and safely hold cable harnesses in place.**

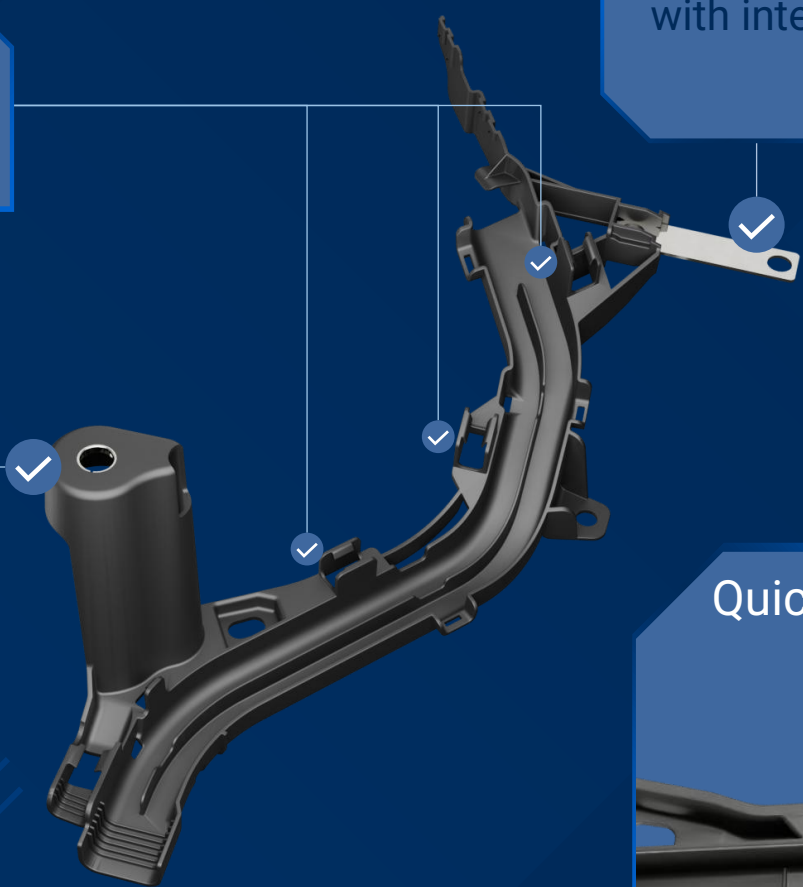
They **protect** electrical components from mechanical stress and vibration while **optimizing available space.**

Reducing the number of components through the integration of clips

High-torque resistance with integrated metal insert

LISI AUTOMOTIVE compression limiter

Quick assembly solution



- ✓ Quick and intuitive assembly
- ✓ A metal-plastic composite that combines **lightweight** and **mechanical strength**
- ✓ **Reduced noise and vibration** thanks to proper cable management

By combining in house plastic injection, metal stamping and assembly, LISI offers:



Optimized geometries



Weight reduction



Robust and reliable